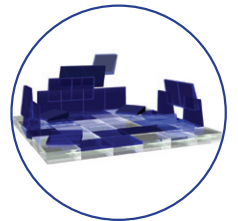
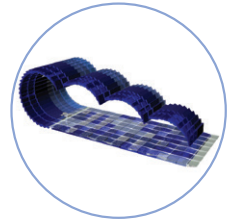
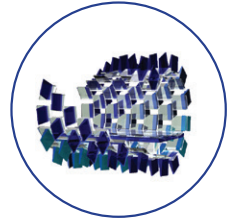
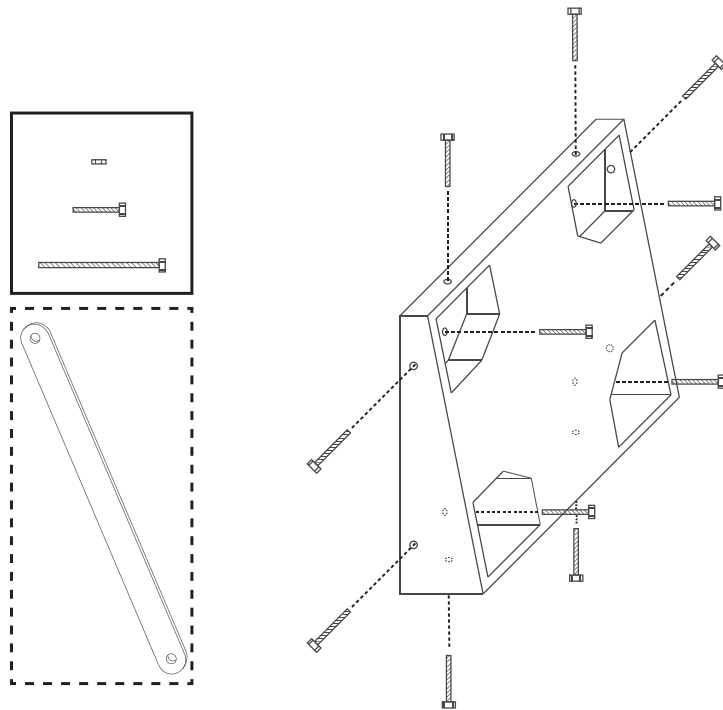


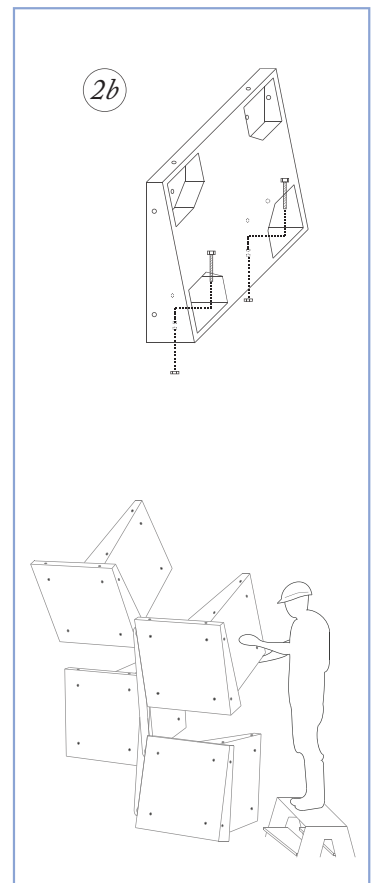
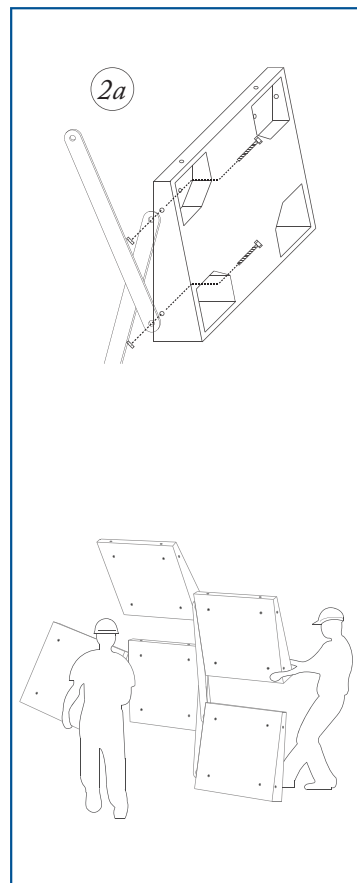
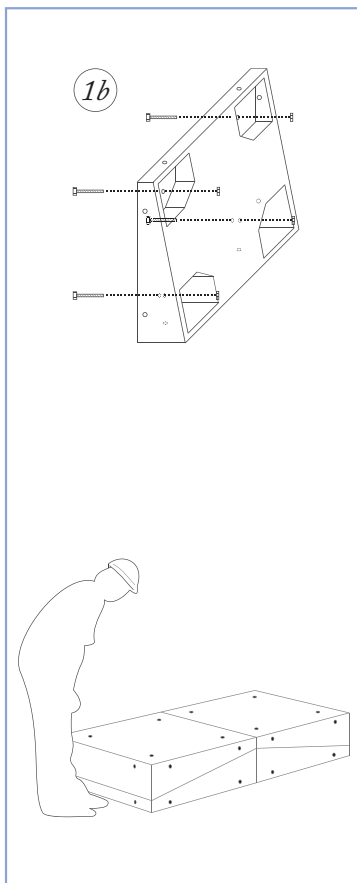
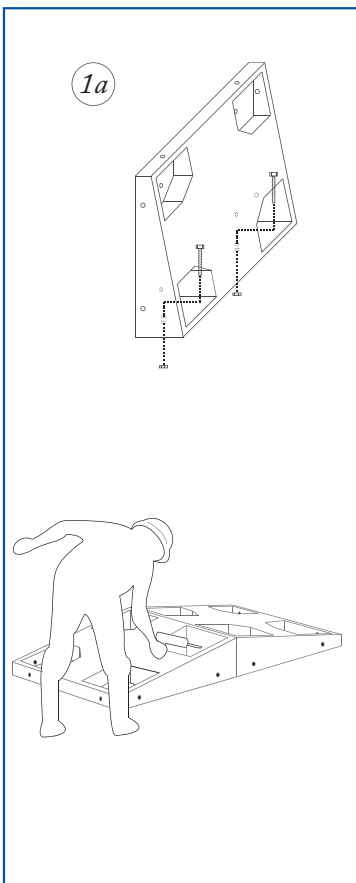
One Component, Countless Opportunities

With just one component it is possible to build stages of different sizes and shapes to fit the site and performance.

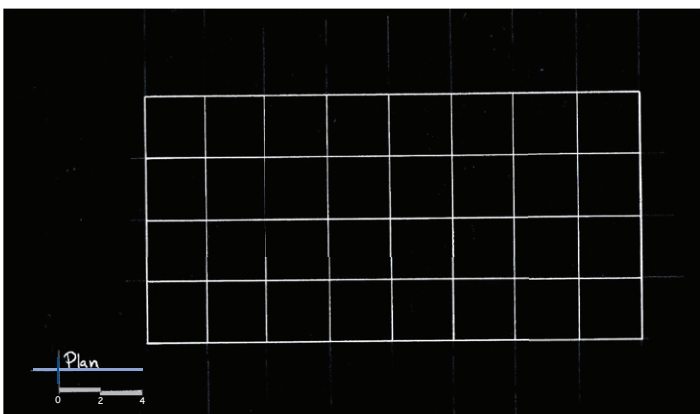
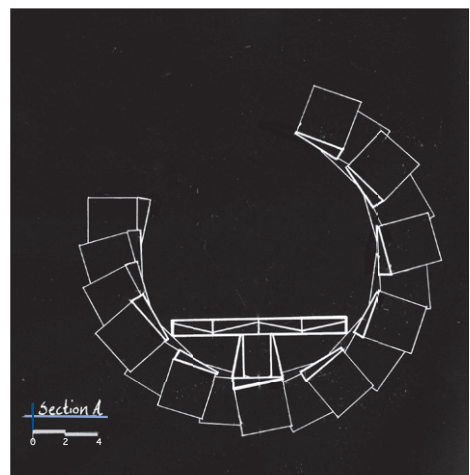
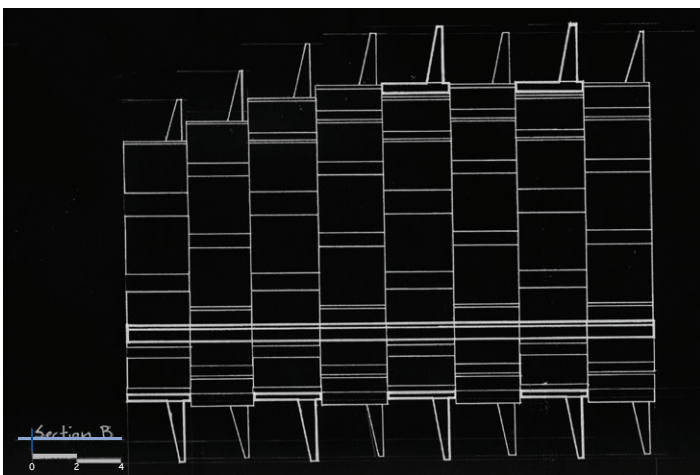
This also makes it possible for no more than two or three people to put the stage up and makes it easy to transport.



Connections and Assembly



Technical Drawings



Joakim Jorgensen
Portable Wave Stage
ARCH 381
Winter 2010